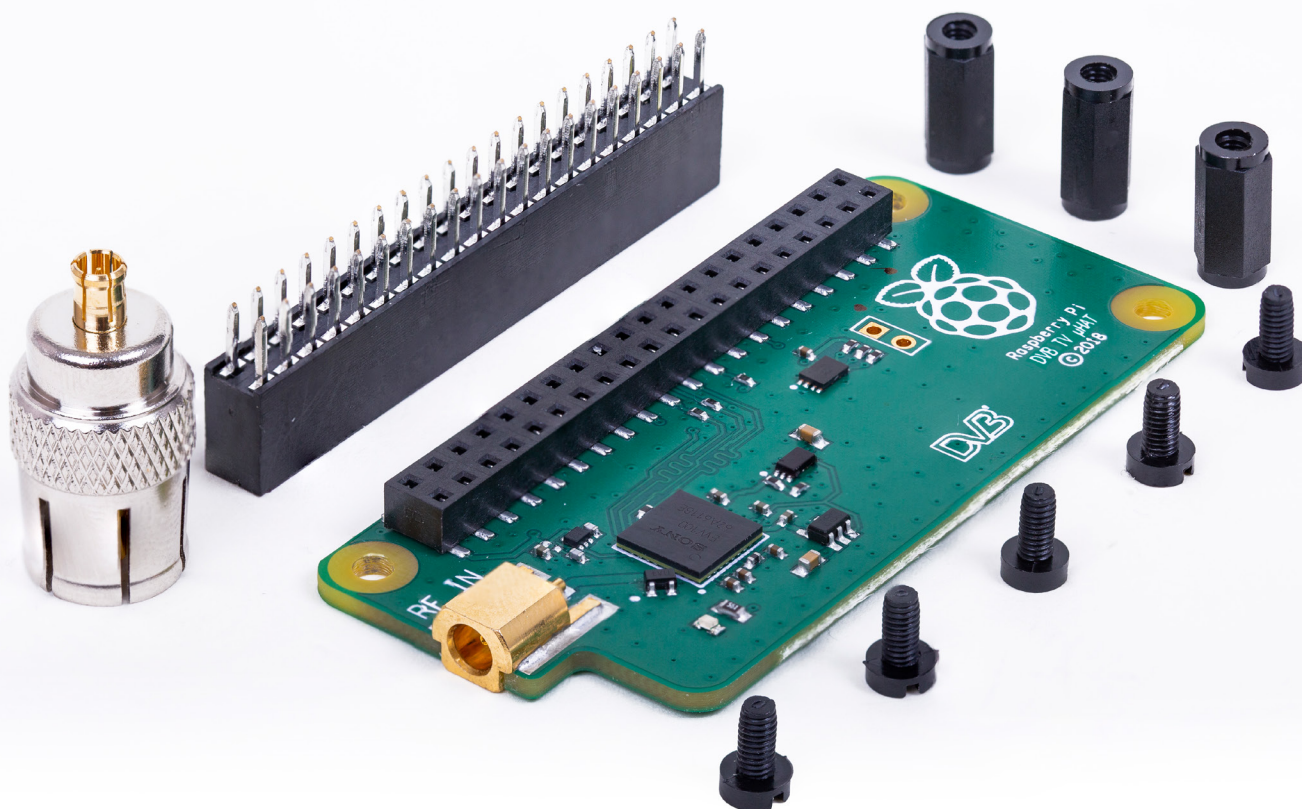


Raspberry Pi TV HAT



Архангельск (8182)63-90-72
Астана (7172)727-132
Астрахань (8512)99-46-04
Барнаул (3852)73-04-60
Белгород (4722)40-23-64
Брянск (4832)59-03-52
Владивосток (423)249-28-31
Волгоград (844)278-03-48
Вологда (8172)26-41-59
Воронеж (473)204-51-73
Екатеринбург (343)384-55-89
Иваново (4932)77-34-06

Ижевск (3412)26-03-58
Иркутск (395)279-98-46
Казань (843)206-01-48
Калининград (4012)72-03-81
Калуга (4842)92-23-67
Кемерово (3842)65-04-62
Киров (8332)68-02-04
Краснодар (861)203-40-90
Красноярск (391)204-63-61
Курск (4712)77-13-04
Липецк (4742)52-20-81

Магнитогорск (3519)55-03-13
Москва (495)268-04-70
Мурманск (8152)59-64-93
Набережные Челны (8552)20-53-41
Нижний Новгород (831)429-08-12
Новокузнецк (3843)20-46-81
Новосибирск (383)227-86-73
Омск (3812)21-46-40
Орел (4862)44-53-42
Оренбург (3532)37-68-04
Пенза (8412)22-31-16

Пермь (342)205-81-47
Ростов-на-Дону (863)308-18-15
Рязань (4912)46-61-64
Самара (846)206-03-16
Санкт-Петербург (812)309-46-40
Саратов (845)249-38-78
Севастополь (8692)22-31-93
Симферополь (3652)67-13-56
Смоленск (4812)29-41-54
Сочи (862)225-72-31
Ставрополь (8652)20-65-13

Сургут (3462)77-98-35
Тверь (4822)63-31-35
Томск (3822)98-41-53
Тула (4872)74-02-29
Тюмень (3452)66-21-18
Ульяновск (8422)24-23-59
Уфа (347)229-48-12
Хабаровск (4212)92-98-04
Челябинск (351)202-03-61
Череповец (8202)49-02-64
Ярославль (4852)69-52-93

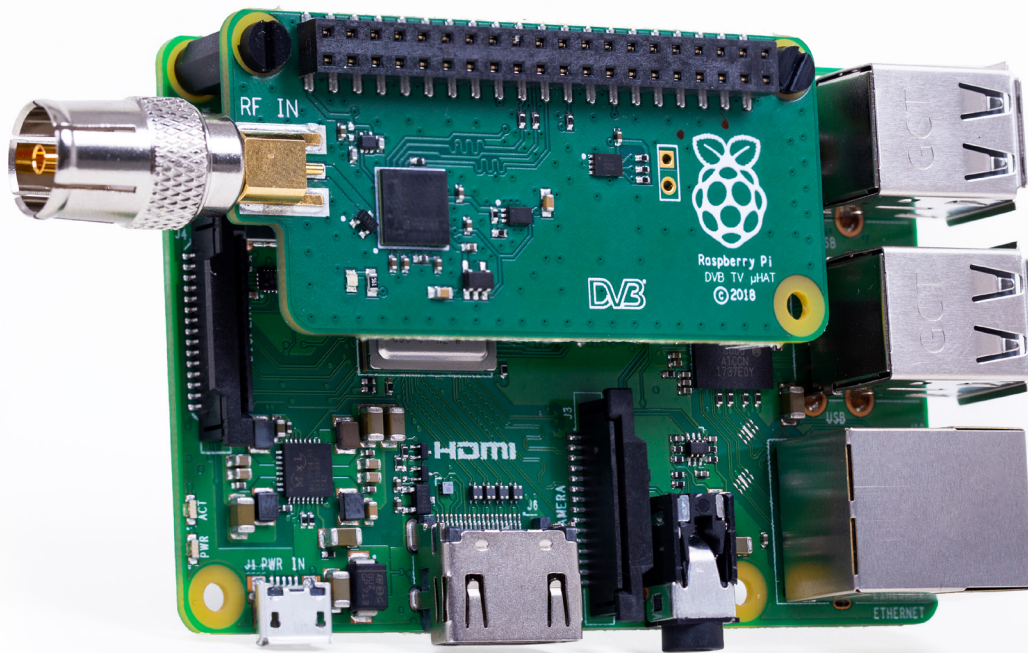
Киргизия (996)312-96-26-47

Россия (495)268-04-70

Казахстан (772)734-952-31

<https://raspberrypi.nt-rt.ru/> || rpy@nt-rt.ru

Overview



The Raspberry Pi TV HAT allows you to receive digital terrestrial TV broadcast systems, including DVB-T and DVB-T2, on a Raspberry Pi.

With the board you can receive and view TV on a Raspberry Pi, or create a TV server that allows you to stream received TV over a network to other devices. The TV HAT can be used with any 40-pin Raspberry Pi board as a server for other devices on the network. Performance when receiving and viewing TV on the Pi itself can vary, and we recommend using a Raspberry Pi 2, Pi 3, or later for this.

The Raspberry Pi TV HAT follows a new HAT form factor, and this is specified below.

The board comes with a set of mechanical spacers, a 40-way header, and an aerial adaptor.

Digital Video Broadcast (DVB) is a widely adopted standard for transmitting broadcast television. A map of countries that have adopted the DVB standard can be found [here](#):

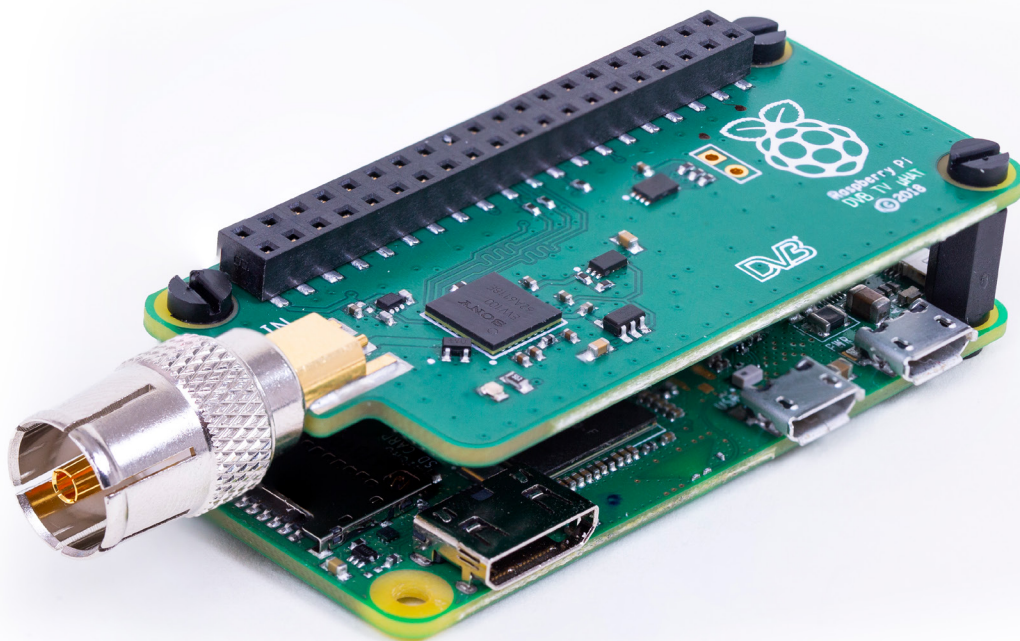
Specifications

- Sony CXD2880 TV tuner
- Supported TV standards: DVB-T2, DVB-T
- Reception frequency: VHF III, UHF IV, UHF V
- Channel bandwidth:
 - DVB-T2: 1.7MHz, 5MHz, 6MHz, 7MHz, 8MHz
 - DVB-T: 5MHz, 6MHz, 7MHz, 8MHz

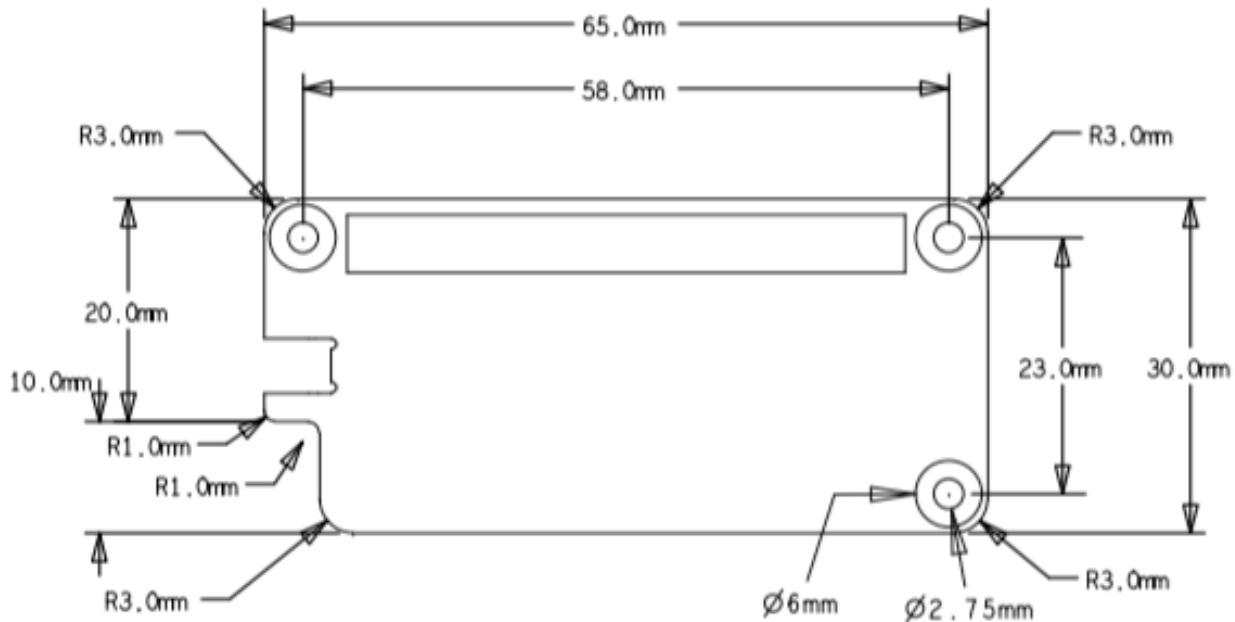
Environment: Operating temperature 0–50°C

Compliance: For a full list of local and regional product approvals,

Production lifetime: The Raspberry Pi TV HAT will remain in production until at least January 2023



Physical specifications



Warnings

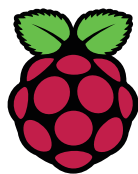
- This product shall only be connected to a Raspberry Pi computer.
- This product should be operated only in a well ventilated environment, and if used inside a case, the case should not be covered.
- This product should be placed on a stable, flat, non-conductive surface while in use, and it should not be in contact with conductive items.
- All peripherals used with this product should comply with relevant standards for the country of use and be marked accordingly to ensure that safety and performance requirements are met. These articles include, but are not limited to, keyboards, monitors and mice when used in conjunction with the Raspberry Pi.
- Where peripherals that do not include a cable or connector are connected to this product, the cable or connector that is used must offer adequate insulation and operation in order that the relevant performance and safety requirements are met.

Safety instructions

To avoid malfunction or damage to this product, please observe the following:

- Do not expose to water or moisture, or place on a conductive surface while in operation.
- Do not expose to any source of heat. The Raspberry Pi TV HAT is designed for reliable operation at normal ambient room temperatures.
- Take care while handling to avoid mechanical or electrical damage to the printed circuit board and connectors.
- Avoid handling the printed circuit board while it is powered, and handle only by the edges, to minimise the risk of electrostatic discharge damage.





Raspberry Pi

Архангельск (8182)63-90-72
Астана (7172)727-132
Астрахань (8512)99-46-04
Барнаул (3852)73-04-60
Белгород (4722)40-23-64
Брянск (4832)59-03-52
Владивосток (423)249-28-31
Волгоград (844)278-03-48
Вологда (8172)26-41-59
Воронеж (473)204-51-73
Екатеринбург (343)384-55-89
Иваново (4932)77-34-06

Ижевск (3412)26-03-58
Иркутск (395)279-98-46
Казань (843)206-01-48
Калининград (4012)72-03-81
Калуга (4842)92-23-67
Кемерово (3842)65-04-62
Киров (8332)68-02-04
Краснодар (861)203-40-90
Красноярск (391)204-63-61
Курск (4712)77-13-04
Липецк (4742)52-20-81

Магнитогорск (3519)55-03-13
Москва (495)268-04-70
Мурманск (8152)59-64-93
Набережные Челны (8552)20-53-41
Нижегород (831)429-08-12
Новокузнецк (3843)20-46-81
Новосибирск (383)227-86-73
Омск (3812)21-46-40
Орел (4862)44-53-42
Оренбург (3532)37-68-04
Пенза (8412)22-31-16

Пермь (342)205-81-47
Ростов-на-Дону (863)308-18-15
Рязань (4912)46-61-64
Самара (846)206-03-16
Санкт-Петербург (812)309-46-40
Саратов (845)249-38-78
Севастополь (8692)22-31-93
Симферополь (3652)67-13-56
Смоленск (4812)29-41-54
Сочи (862)225-72-31
Ставрополь (8652)20-65-13

Сургут (3462)77-98-35
Тверь (4822)63-31-35
Томск (3822)98-41-53
Тула (4872)74-02-29
Тюмень (3452)66-21-18
Ульяновск (8422)24-23-59
Уфа (347)229-48-12
Хабаровск (4212)92-98-04
Челябинск (351)202-03-61
Череповец (8202)49-02-64
Ярославль (4852)69-52-93

Киргизия (996)312-96-26-47

Россия (495)268-04-70

Казахстан (772)734-952-31

<https://raspberrypi.nt-rt.ru/> || rpy@nt-rt.ru